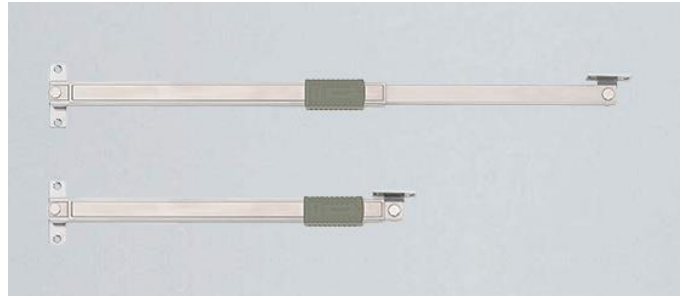
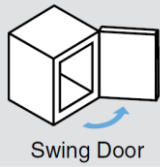


GU-3012HL (GU-3005) Multi-Angle Lid Stay

Swing door opening

Opening Direction

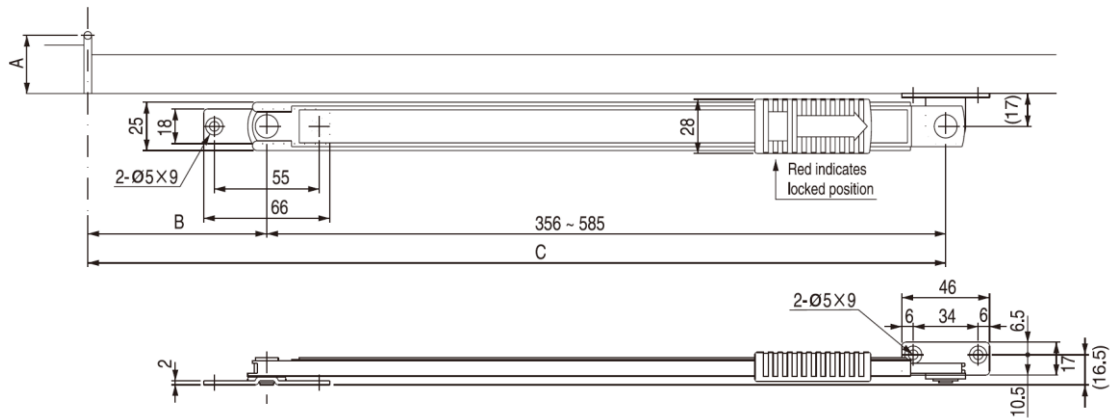


Features

- Locks lid in multiple positions by manually sliding lock lever
- Slide back lever to lock / unlock
- Ideal for vibration or shock applications
- Can be installed individually or in pairs
- Non-handed: Can be installed on left or right side
- Door opening angle: 100° maximum
- Recommended door size
 - Height: max. 2,000 mm
 - Width: 600 ~ 910 mm
 - Thickness: 25 ~ 45 mm

Material

- Stainless steel 304, satin finish
- Polyacetal



A, B and C dimensions are for 90° door opening angle

A	30	35	40	45	50
B	160	160	160	160	155
C	525	520	515	510	505

Part No.

GU-3012HL (GU-3005)